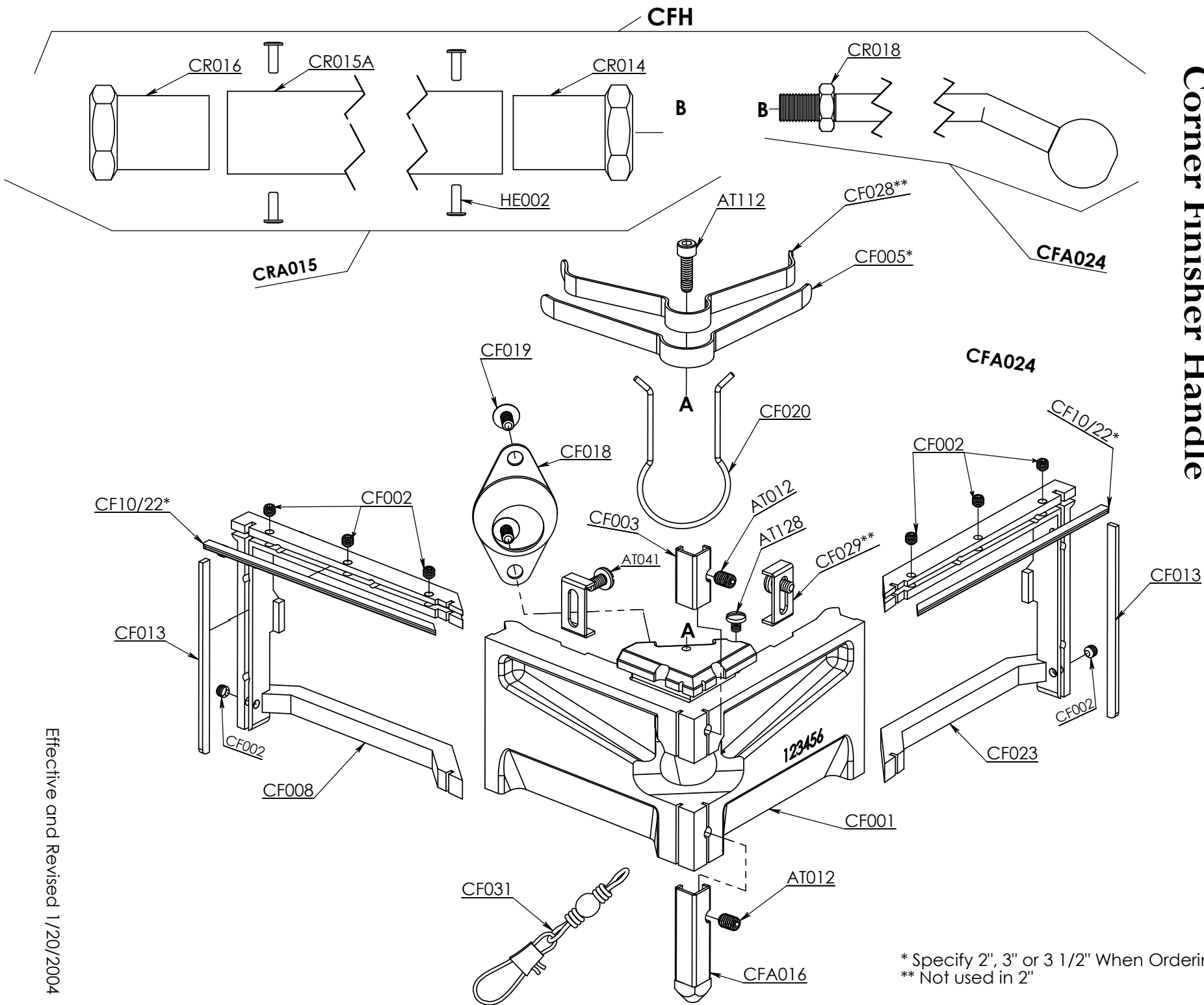


# TapePro

## Corner Finisher & Corner Finisher Handle



\* Specify 2", 3" or 3 1/2" When Ordering  
 \*\* Not used in 2"