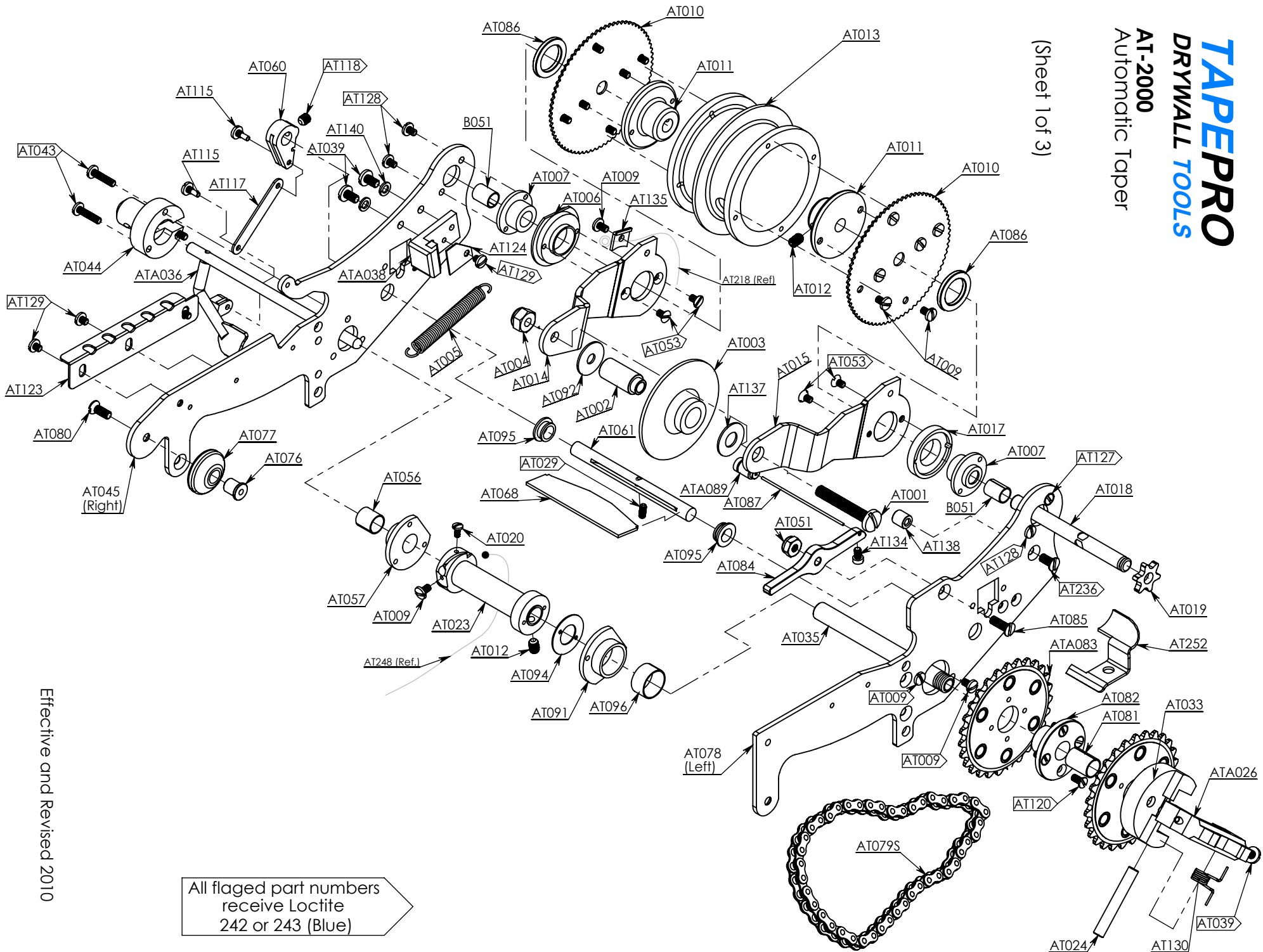


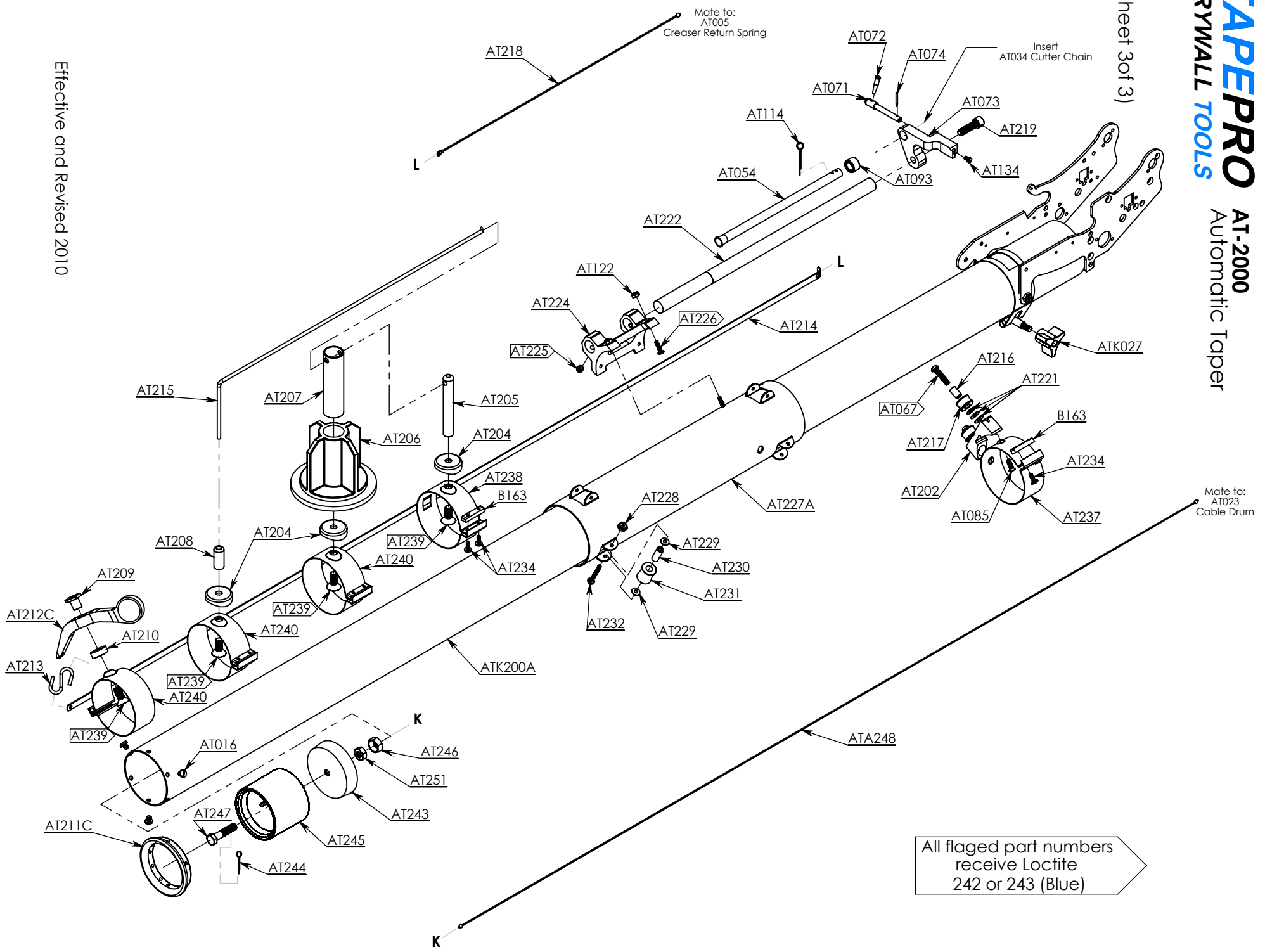
TAPEPRO
DRYWALL TOOLS
AT-2000
Automatic Taper

(Sheet 1 of 3)



All flaged part numbers
receive Loctite
242 or 243 (Blue)

Effective and Revised 2010



Mate to:
AT005
Creaser Return Spring

Insert
AT034 Cutter Chain

Mate to:
AT023
Cable Drum

All flanged part numbers
receive Loctite
242 or 243 (Blue)

Effective and Revised 2010