

TAPEPRO ***DRYWALL TOOLS***



TAPEPRO CORNER BOX

TAPEPRO CORNER BOX

The Tapepro Corner Box is designed to be used with the Tapepro Corner Finisher or Corner Glazer to apply a finishing coat to all 90° internal angles. This is one of the last procedures and will cover the tape with joint compound and feathering the compound onto the plasterboard.

BEFORE USE

- > Ensure that the Tapepro Corner Box is free from any dry joint compound. **(CB-1)**
- > Check that both the pressure plate and the filler valve move freely.

USING THE TAPEPRO CORNER BOX

1. Fill the Tapepro Corner Box by removing the nozzle from the box filler which is attached to the loading pump. Insert the Tapepro Corner Box filler valve into the box filler. **(CB-2)**
2. Pump until the box is full.
3. Snap the Tapepro Corner Finisher or Corner Glazer onto the nose cone of the Tapepro Corner Box. When using a Corner Finisher, ensure the swivel chain is attached, to reduce the risk of damage. **(CB-3)**
4. Place the Tapepro Corner Finisher or Corner Glazer at the top of the internal. Apply pressure and pull the Tapepro Corner Box down the internal to approximately 600mm from the bottom of the joint. **(CB-4 & CB-5)**
5. Turn the Tapepro Corner Box around and starting from the bottom of the joint run up the internal. **(CB-6)**



CLEANING

Your Tapepro Corner Box should be cleaned after every use to maximise lifespan and maintain optimal performance.

1. Fully open the Tapepro Corner Box by loosening the thumb screws on the side of the box and thoroughly clean with a hose and stiff brush.
2. Ensure all joint compound is removed from the box and nose cone.

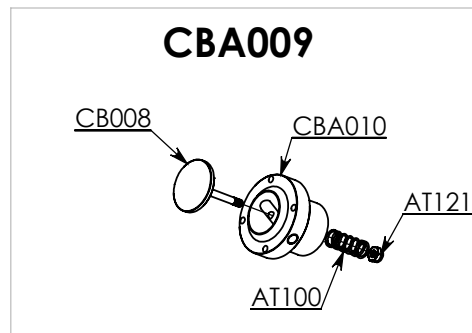
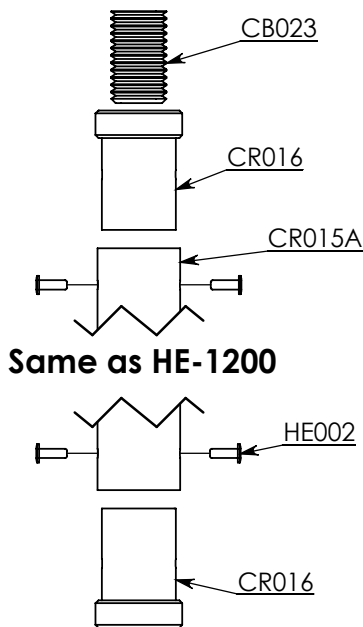
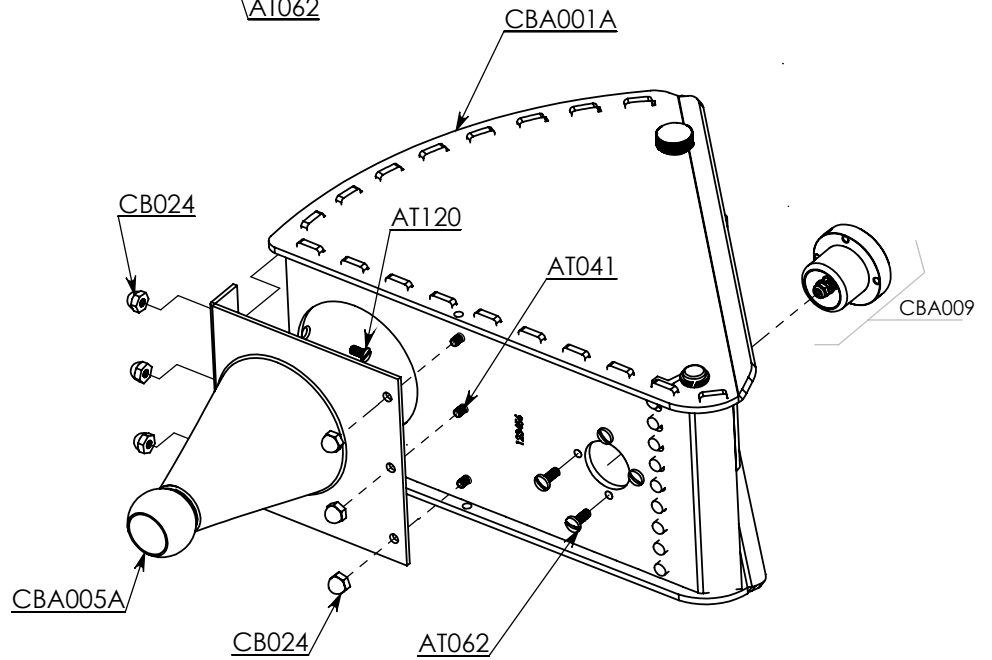
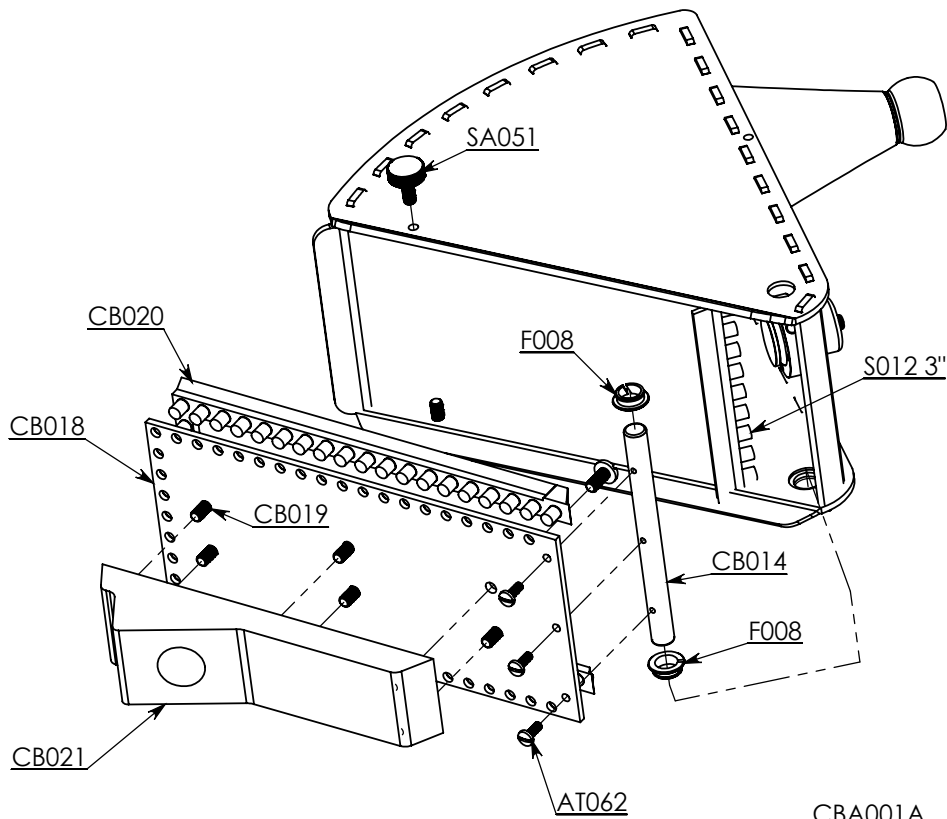
MAINTENANCE

All replacement parts are available from your local plasterboard distributor or Tapepro Drywall Tools. For your nearest distributor please visit our website: www.tapepro.com or call Tapepro Drywall Tools on +61 7 5520 6022.

WARRANTY

All manufacturing faults are covered under the Tapepro warranty.
All non wear parts are covered under a 3 year warranty.





TAPEPRO

DRYWALL TOOLS

For further information contact: TAPEPRO DRYWALL TOOLS

Phone: +61 7 5520 6022 | Fax: +61 7 5520 5973 | Email: info@tapepro.com | Website: www.tapepro.com